

Complete Concrete Placing Services

MINNESOTA CONCRETE PUMPING: 651-686-4274 (out-state) 1-800 CEMSTONE

WISCONSIN CONCRETE PUMPING: 715-986-4442 1-866-279-2221

Ready-Mix Dispatch: METRO 651-688-9520 1-800 CEMSTONE

MINNESOTA			
ARLINGTON	1-800-252-6749 507-964-2233	JORDAN	952-492-3939
BRAINERD	218-829-9239	NORTHFIELD	1-800-366-6910 507-663-0330
DELANO	1-800-543-1977 763-912-6111	OWATONNA	1-800-294-1543 507-451-5347
ISLE	1-800-955-6105 320-676-3365	RED WING	1-800-325-6055 651-388-8996
WISCONSIN			
CENTRAL	1-800-555-9415 715-426-4238	SOUTH	1-800-325-6435 715-672-5008
NORTH	1-866-279-2221 715-986-4442		

Contractor Supply: 1-800-829-8228 651-905-1500

Concrete and Masonry materials and supplies

METRO AGGREGATES: 651-688-9526 1-888-325-3155

WISCONSIN AGGREGATES: 715-426-4238 1-800-555-9415



CEMSTONE PRODUCTS COMPANY
CEMSTONE READY MIX, INC.
2025 CENTRE POINTE BLVD.
SUITE 300
MENDOTA HEIGHTS, MN 55120-1221
FAX: 651-688-0124
WWW.CEMSTONE.COM



WHY PLACE CONCRETE?

GREATER VERSATILITY: In difficult to reach pour sites, pumping is the most efficient way to get the concrete where it's needed and keep the job on schedule.

LOWER LABOR COSTS: The precise placement of pumped concrete increases productivity and can reduce the number of people required at the job site.

INCREASED SPEED: At up to 200 cubic yards per hour with a continuous discharge of concrete, nothing touches a pump if the job can't be chuted. Cemstone can even add pipeline to place concrete hundreds of feet from the ready-mix truck.

REDUCED EXCAVATION COSTS: Leave that backfill near the hole! The ready-mix trucks won't need to get close to the pour because the pump can reach over obstacles.

LONGER SEASON: When the ready-mix trucks can't get close to the pour because of soft ground, the pump keeps your job going even during road postings.

SMOOTHER ICF JOBS: The use of Insulating Concrete Forms (ICF's) is a growing trend in residential and commercial construction. The steady flow of concrete from a pump is the surest way to guarantee a proper consolidation within the ICF form.

STRONGER COMMUNITY RELATIONS: Ready-mix trucks can stay on the pavement when a pump is used, which reduces mud and debris on streets and washout mess on jobsites.



WHY PLACE CONCRETE WITH CEMSTONE?

RELIABLE SCHEDULING: With one call we schedule your pump and concrete delivery so you don't have to juggle multiple suppliers.

SEE WHAT BLUE CAN DO FOR YOU: We take pride in being your single-source solution for a wide range of concrete products and services. And delivering precisely what you need, when you need it. We call it our **Blue on BlueSM** advantage.

THE HIGHEST QUALITY EQUIPMENT: We feature a full line of advanced pumps, conveyors and equipment to meet your job's requirements.

EXPERIENCED PLACING OPERATORS: Our highly-trained pump operators have more than 200 years of combined experience and are American Concrete Pumping Association (ACPA) certified to maximize productivity and safety.



CUSTOM MIXES: Pumpable mixes are our specialty so we've got the right concrete for your job. Call Engineering Services at **651-686-4275** to specify mix and placing requirements.

FAR REACHING SERVICE AND SUPPORT: Our pumps are ready to be dispatched wherever needed for any size job. Call **1-800-CEMSTONE**.

ACCOUNT MANAGEMENT: With our MyCemstone online system at www.cemstone.com – you can track all aspects of the job, including trucks, pumps and even invoicing from our web site. Call your Cemstone representative for details.



IMPORTANT SAFETY CONSIDERATIONS BEFORE THE PLACING EQUIPMENT ARRIVES:

- ❌ **OVERHEAD LINES ARE EXTREMELY DANGEROUS!**
Our operators cannot unfold the boom within 17-feet of any power lines.
- ❌ **ONE-TO-ONE RULE.** For every foot of excavation depth, we require a one-foot setback from the hole for set-up. (See the required footprint diagram on the following pages.)

Learn more about safety at cemstone.com

SAFETY IS JOB 1

- ❌ Review hand signals with pump operators before placing concrete. (See illustrations on inside back cover.)
- ❌ Wear hardhats, gloves, boots and safety glasses when placing ready-mixed concrete to prevent cement burns.
- ❌ **NOTE:** Customer is required to provide a wash out space at the job site for placing equipment, or notify Cemstone ahead of time if other arrangements are necessary.



THE 17-METER 55-FOOT BOOM

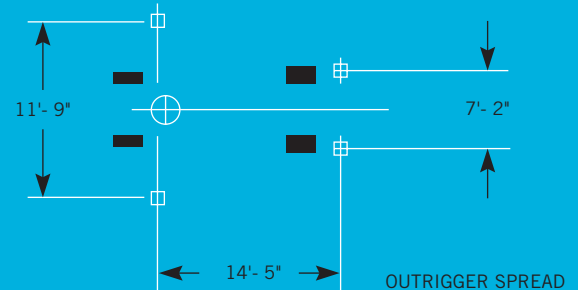
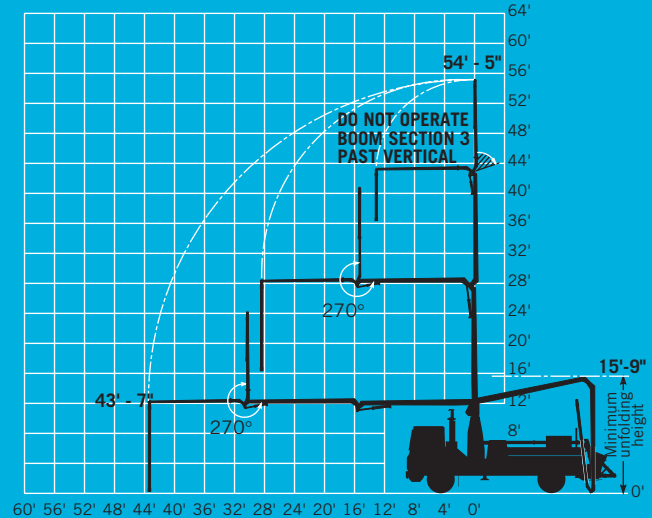
- 55', 3-section boom
- Horizontal reach is 43'-7"
- Output to 75 yds/hr.
- On-road traveling height of 11'-10"
- Great for corefill and topping mixes
- Highly maneuverable alternative to trailer pumping
- 5-ton legal

Low unfolding height 15' 9" allows indoor work.

CONCRETE PLACING: 651-686-4274 or 1-800-CEMSTONE



17 METER



THE 31 EZ-METER 100-FOOT BOOM

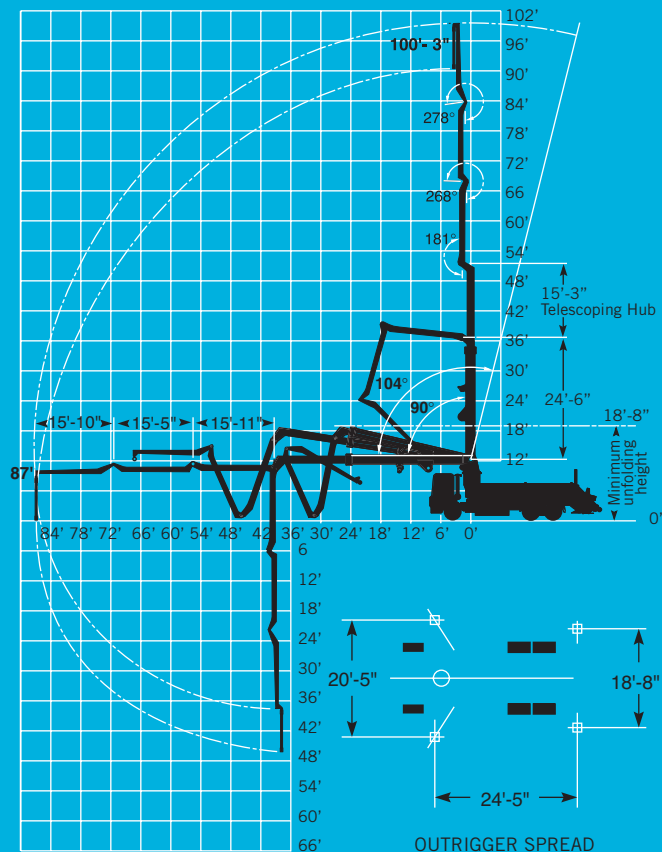
- 100'-3", 4-section boom
- Pivot between 1st and 2nd 36'-9"
- Pivot between 2nd and 3rd 52'-8"
- Pivot between 3rd and 4th 68'-1"
- Horizontal reach is 87'
- Outrigger spread is 20'-5"
- **Minimum unfolding height is 18'-8"**
- Output 170 cu. yds/hr.

A telescoping Z-boom for indoor pours, slope walls, mezzanine pours and enclosed basements.

CONCRETE PLACING: 651-686-4274 or 1-800-CEMSTONE



31 METER



THE 32-METER 106-FOOT BOOM

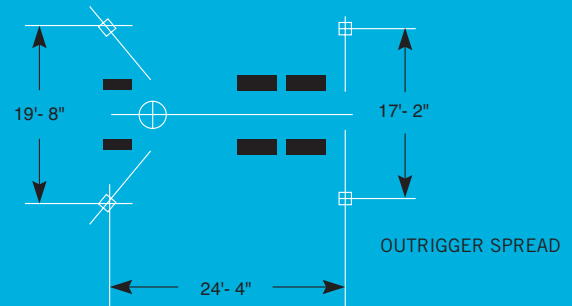
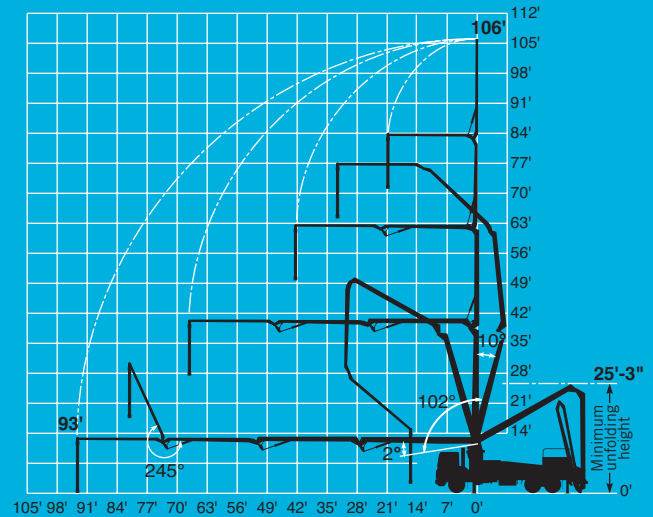
- 106', 4-section boom
- Horizontal reach is 93'
- Output to 170 yds/hr.
- On-road traveling height of 12'-6"
- 7-ton legal

Sets up on tight jobs and performs on a wide variety of work.

CONCRETE PLACING: 651-686-4274 or 1-800-CEMSTONE



32 METER XL



THE 34-METER 112-FOOT BOOM

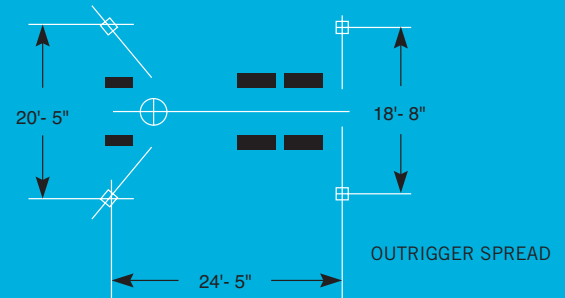
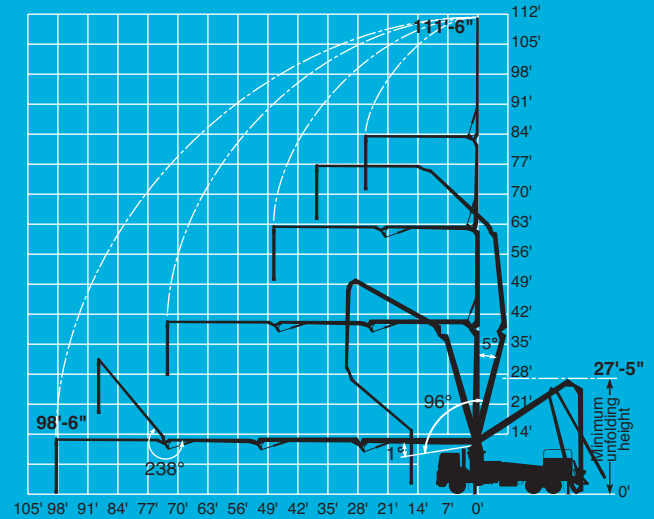
- 112', 4-section boom
- Horizontal reach is 98'-6"
- Output to 170 yds/hr.
- On-road traveling height of 13'-4"
- Central Tire Inflation (CTI) ideal for soft or sandy conditions
- 5-ton legal

Our most versatile pump for residential and commercial pours.

CONCRETE PLACING: 651-686-4274 or 1-800-CEMSTONE



34 METER X



THE 36-METER 118-FOOT BOOM

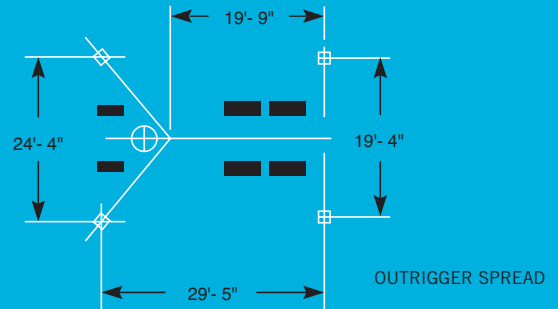
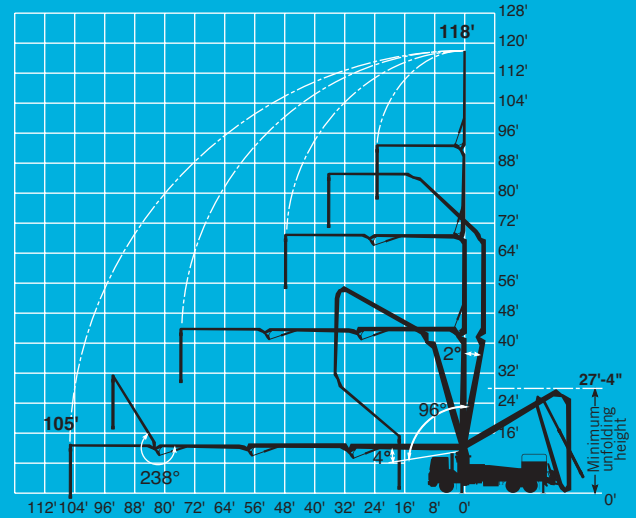
- 118', 4-section boom
- Horizontal reach is 105'
- Output to 170 yds/hr.
- On-road traveling height of 13'-8"

Covers the majority of residential, commercial and medium rise work.

CONCRETE PLACING: 651-686-4274 or 1-800-CEMSTONE



36 METER X



THE 39-METER 129-FOOT BOOM

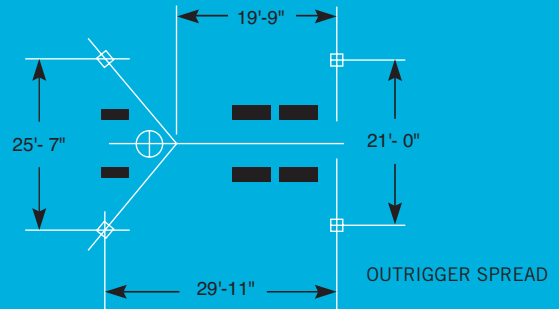
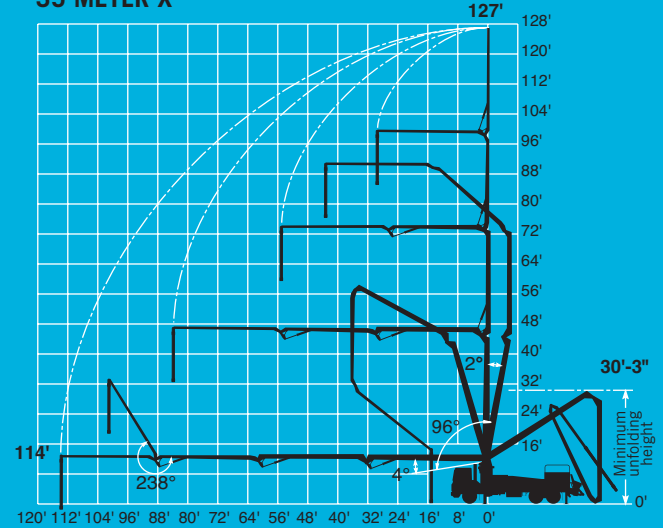
- 129', 4-section boom
- Horizontal reach is 114'
- Detachable boom for high rise construction
- Output to 200 yds/hr.
- On-road traveling height of 13'-8"
- 7-ton legal

A popular size for many residential and commercial applications.

CONCRETE PLACING: 651-686-4274 or 1-800-CEMSTONE



39 METER X



THE 47-METER 154-FOOT BOOM

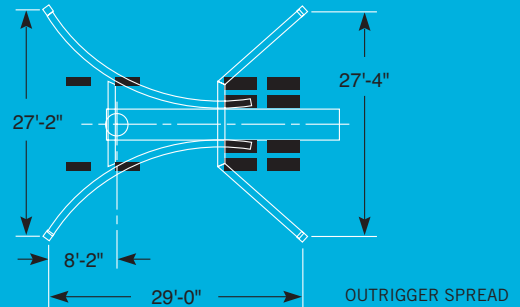
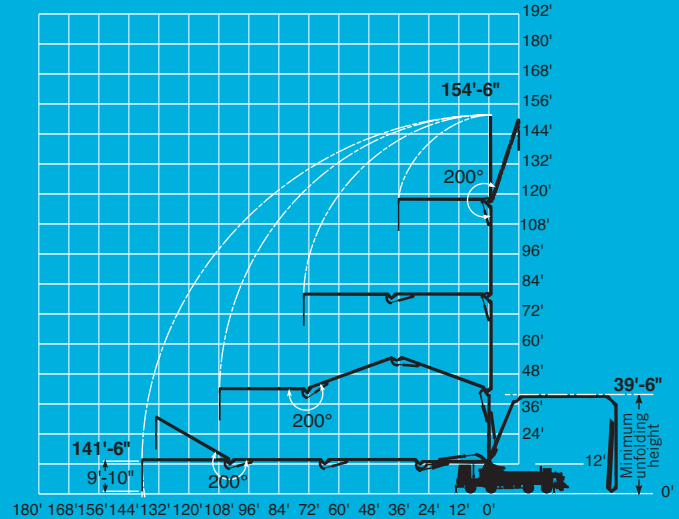
- 154', 4-section boom
- Horizontal reach is 141'-6"
- Output to 200 yds/hr.
- On-road traveling height of 13'-6"
- 7-ton legal

A proven workhorse for commercial and industrial long reach work.

CONCRETE PLACING: 651-686-4274 or 1-800-CEMSTONE



47 METER SX



THE 55-METER 180-FOOT BOOM

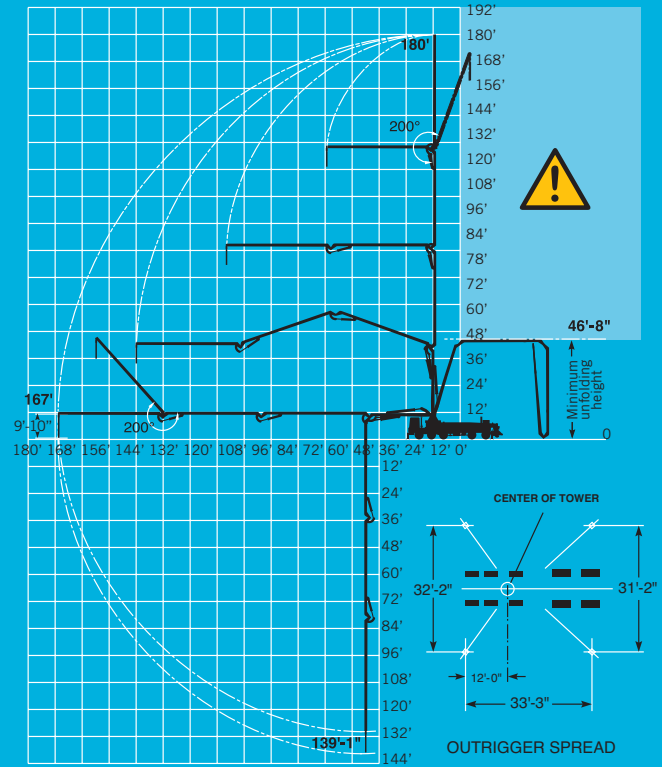
- 180', 4-section boom
- Horizontal reach is 151'
- Vertical reach is 180'
- Output to 173 yds/hr.
- Outrigger spread 32'-2"
- Overweight permits required daily--24-hour notice required

A heavy-duty performer for large scale jobs.

CONCRETE PLACING: 651-686-4274 or 1-800-CEMSTONE



55 METER



THE 61-METER 200-FOOT BOOM

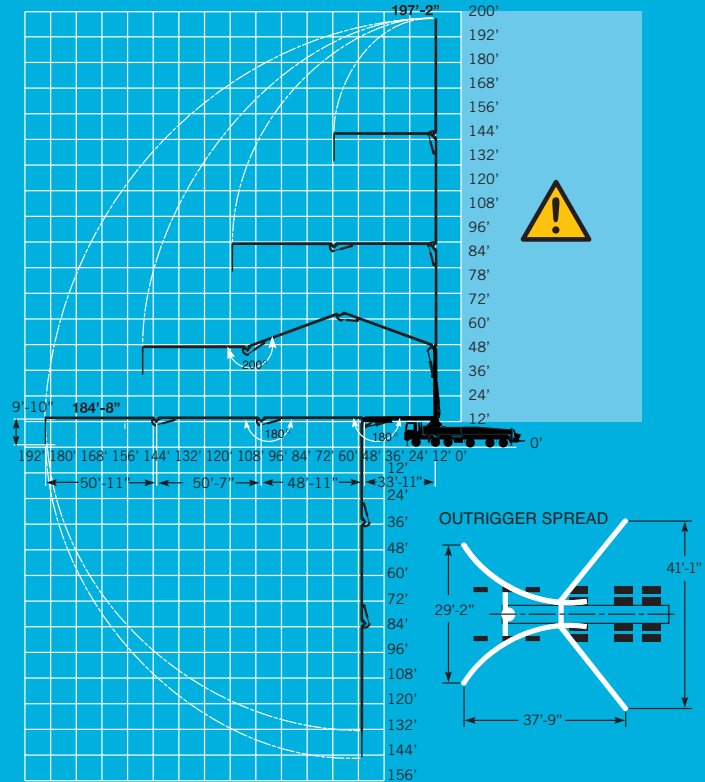
- 199'-5", 4-section boom
- Section lengths:
1st Section 34' 3rd Section 50'-8"
2nd Section 49' 4th Section 51'
- Unfolding height 51'-9"
- Effective horizontal reach is 184'-8"
- Vertical reach is 197'-2"
- Output to 220 yds/hr.
- Outrigger spread 41'-1"
- Overweight permits required daily-
24-hour notice required

Our longest boom for high rise, commercial work.

CONCRETE PLACING: 651-686-4274 or 1-800-CEMSTONE



61 METER

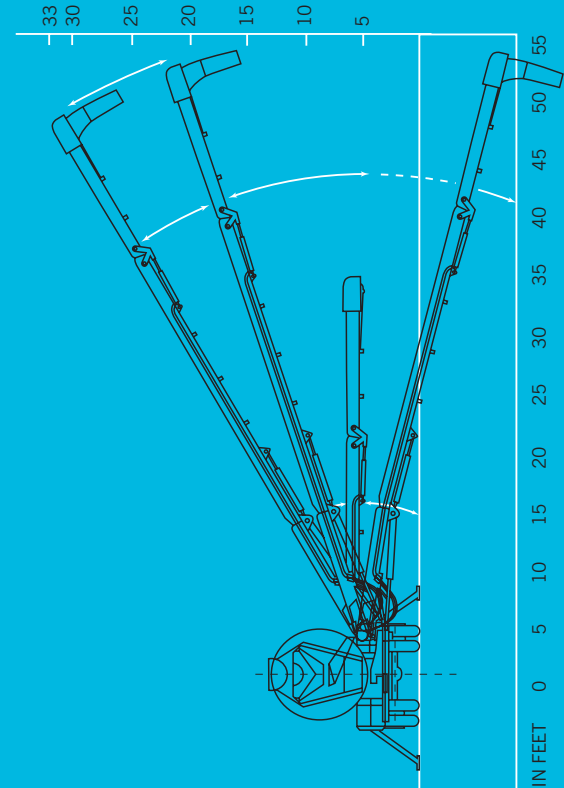


THE MIXER MOUNTED CONCRETE CONVEYER

- 50' horizontal reach
- 33/50' overall reach with telescoping maxi-swing pivot
- 30' maximum discharge height from ground
- 320 degree conveyor rotation
- Outrigger spread 11'

The best value for single load jobs conveying aggregates or concrete

CONCRETE PLACING: 651-686-4274 or 1-800-CEMSTONE

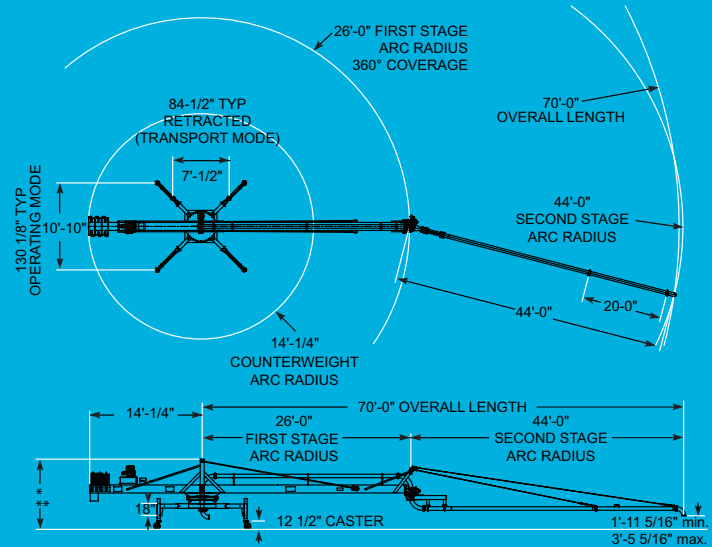


THE 70-FOOT KRETE PLACER

- Powered placing device with 70' radius reach
- 360° coverage
- 5" diameter, 7-gauge, heat-treated pipe boom
- Hydraulically powered and radio remote controlled

A versatile, 70-foot, two-function Krete Placer

CONCRETE PLACING: 651-686-4274 or 1-800-CEMSTONE



*H1 OPERATING HEIGHT 8'-8 29/32" MINIMUM 10'-2 29/32" MAXIMUM
**H2 TRANSPORT HEIGHT 7'-8 13/32" W/O CASTERS 8'-8" W/CASTERS

APPROXIMATE WEIGHTS: DP5070HYD-2-COM
TOTAL DRY WEIGHT = 11497 lbs.
CONCRETE = 1400 lbs.
TOTAL W/CONCRETE = 12897 lbs.

HIGH RISE PLACING BOOM AND TRAILER PUMP

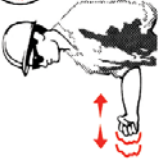











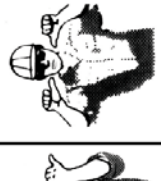

- Concrete placement speed as much as 50% faster than tower crane and bucket
- 85 cu. yds/hr theoretical concrete output
- 39 meter, 114' reach
- Empty boom weight 12,890 lbs.

Specifically for high rise/long reach concrete placement applications

CONCRETE PLACING: 651-686-4274 or 1-800-CEMSTONE



PUMP HAND SIGNALS

 <p>1. START PUMP SPEED UP</p>	 <p>2. SLOW PUMP DOWN</p>	 <p>3. STOP PUMP</p>	 <p>4. LITTLE BIT</p>	 <p>5. RELIEVE PRESSURE</p>	 <p>6. ADD WATER 4-GALLONS</p>	 <p>7. ALL DONE CLEAN UP</p>
 <p>8. BOOM UP</p>	 <p>9. BOOM DOWN</p>	 <p>10. BOOM LEFT</p>	 <p>11. BOOM RIGHT</p>	 <p>12. OPEN OR EXTEND BOOM</p>	 <p>13. CLOSE OR RETRACT BOOM</p>	 <p>14. STOP BOOM</p>