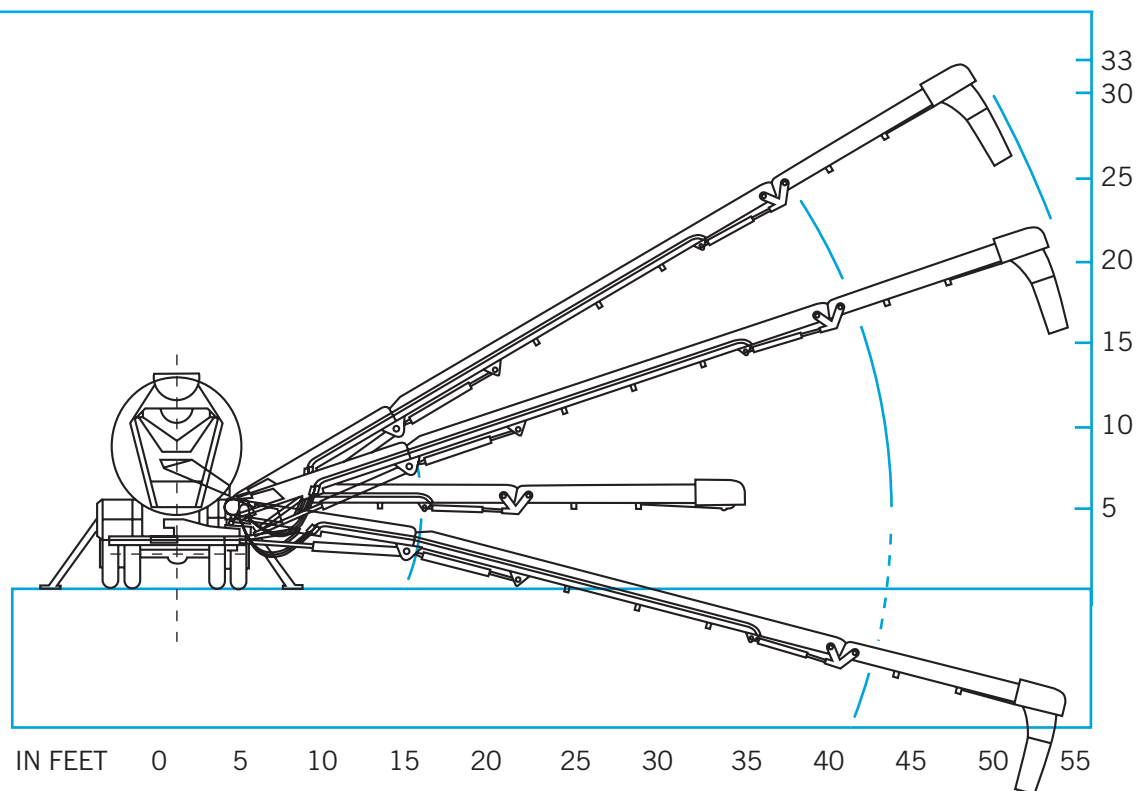


# THE MIXER MOUNTED CONCRETE CONVEYER

The best value for single load jobs conveying aggregates or concrete

- 50' horizontal reach
- 33/50' overall reach with telescoping maxi-swing pivot
- 30' maximum discharge height from ground
- 320 degree conveyor rotation
- Outrigger spread 11'



CONCRETE PLACING: 651-686-4274 or 1-800-CEMSTONE